



MCI 60 / MSI 60 Compact cashdesk keyboards



Description

The compact MCI keyboards are cashdesk keyboards for the point of sale. They require little space, are extremely reliable and user-friendly and excel by ergonomic handling and modular flexibility.

Flexibility

- 60 free-programmable key positions
- Key exchange technique
- Single, double and multiple keys

Reliability

- More than 30 million keystrokes for each position
- Front of keypad is protected against dust and splashing water
- Single and multiple keys with equal actuating force

Options

- 3 track magnetic stripe reader
- 5 position keylock with 3 keys
- Colored keys
- Customized labelling of keys
- OPOS and Java POS drivers

PrehKeyTec GmbH is a leading manufacturer of advanced data input systems on the global market. Their product range comprises modular standard keyboards which are primarily characterized by their high degree of flexibility and their extreme reliability, making them the ideal option for professional applications.

MCI 60 / MSI 60 Technical Data

Key electronic

- Numeric layout (5 x 12 by MCI 60 and 6 x 10 by MSI 60) with 60 free programmable key positions

Features

- Modular design requiring minimum space
- 4 status LEDs only by MCI 60
- Menu-driven programmer software
- DOS, Linux and Windows compatibility

Size

Size: 245 mm x 166 mm MCI 60 and 200 mm x 163,5 mm MSI 60 (B x T)

Stray radiation

CE Approval EN55022, FCC Subpart 15, Class A Electrostatic discharge immunity according to EN 6100-4-2, resistance limit 12 kV (air discharge). Radiated, radio-frequency electromagnetic field immunity, severity of test 10 V/m.

Extensions:

PC-Connection

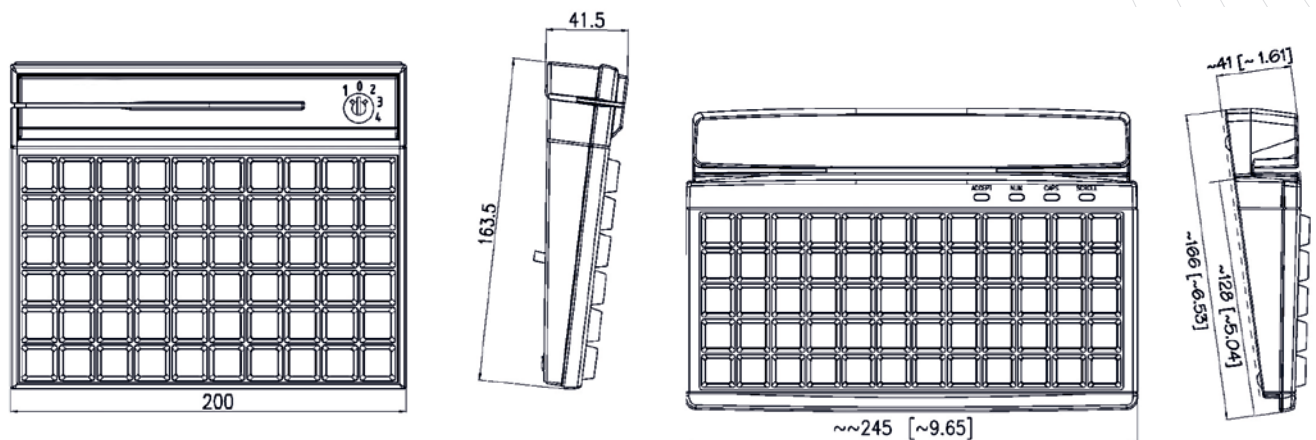
- USB interface

Magnetic stripe reader

- Card can be swiped in both directions
- Reads track 1, 2 and 3 according ISO 7810 and 7811
- Additional configurations: AAMVA, CADL
- Parameter configurable by WinProgrammer (Header and Terminator)
- More than 500,000 read cycles

Specials

- 5 position keylock with 3 keys



Technical data are subjekt to change 04/14 RI