

# inVUE®

## NE360

# Any device. Any payment. Anywhere.



### **FLEXIBLE DESIGN**

Total freedom to mix and match any payment device, handheld, tablet or OS – at any time.

### **FULLY MOBILE**

Integrated charging and USB connectivity enable complete mobility and transactions.

### **OPTIMIZED EXPERIENCE**

Improves the in-store experience and conversion rates.

### OVERVIEW

NE360H Handheld and NE360T Tablet cases withstand the test of time. Offering the widest range of configurations to meet your product needs, mix and match any payment device with any mPOS case to future proof your technology investments.

### FEATURES AND BENEFITS

#### Mix, Match, and Stay Connected:

- 1 Payment cases can be mixed and matched with any Handheld or Tablet case
- 2 USB Connectivity between compatible devices provide seamless service
- 3 Fully integrated charging avoids disruption in customer service
- 4 Payment device can slide while connected for full access to camera

#### Product Features:

- 5 4ft (1.2m) drop protection, mil spec 810g
- 6 Easily lock in or remove payment device
- 7 Display tablets in landscape or portrait mode with integrated kickstand
- 8 Hand strap standard with Tablet cases and connection points available on Handheld case.
- 9 Single and 5-position gang charger available



### OVERVIEW

NE360 mPOS Center offers endless opportunities to service customers with ease. Integrated peripherals offer a clean register replacement and instant mobility provide the most flexible customer service.

### FEATURES AND BENEFITS

- 1 Universal tablet mount supports any tablet
- 2 Quickly and easily remove tablet for mobility
- 3 Heavy duty cast metal construction base
- 4 Base can rotate 270° or can be locked down
- 5 Tablet tilts 30°-75°
- 6 Optional tablet case conceals tablet mount and data cable for integrated look and added security
- 7 Base is freestanding with fixed mount options (bolt down only option also available)
- 8 Payment device cradle can be detached from base and used wirelessly; cradle can also be connected to an optional charge USB data dock which may be fixed to counter or wall
- 9 Optional Network Hub allows for integration of accessories (e.g. cash drawers, scanning guns, receipt printer, etc.) for a clean display that's easy to use and maintain

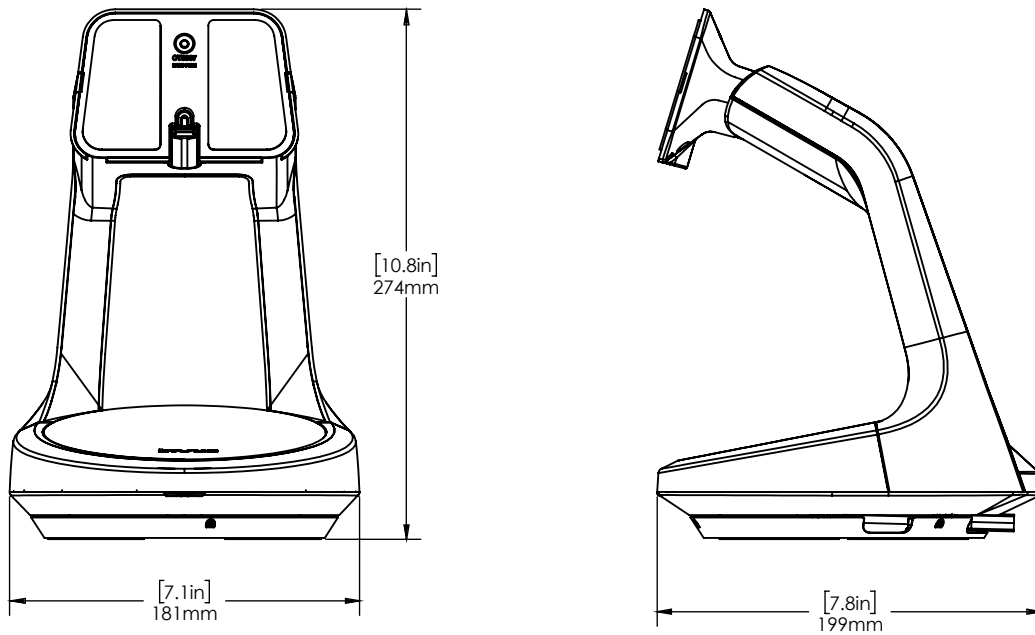


©2022 InVue. No endorsement of InVue products has been made by any of the manufacturers of the products shown. Product is sold pursuant to InVue's warranty which can be found at [invue.com/warranty](http://invue.com/warranty).

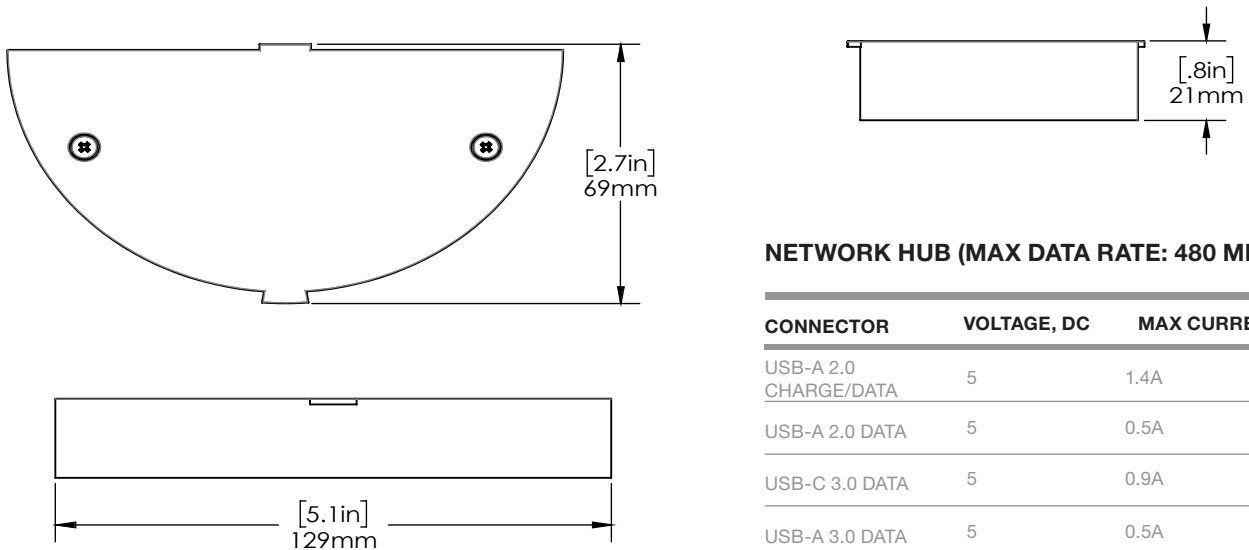
# NE360 / Technical Specifications

## SPECIFICATIONS

Payment center stand, swivel, tablet adapter (CT3003):



Payment center HUB: 3 USBA, 1 USB C, 1 Ethernet (CT3005):



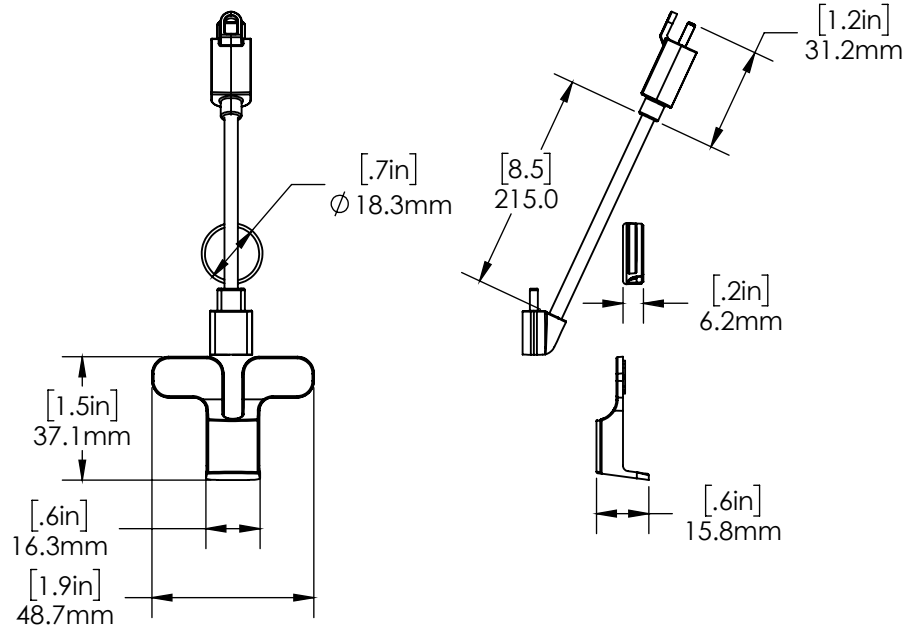
### NETWORK HUB (MAX DATA RATE: 480 MBPS)

CONNECTOR	VOLTAGE, DC	MAX CURRENT
USB-A 2.0 CHARGE/DATA	5	1.4A
USB-A 2.0 DATA	5	0.5A
USB-C 3.0 DATA	5	0.9A
USB-A 3.0 DATA	5	0.5A
GIGABIT ETHERNET PORT, RJ45	Max data rate: 480 Mbps	



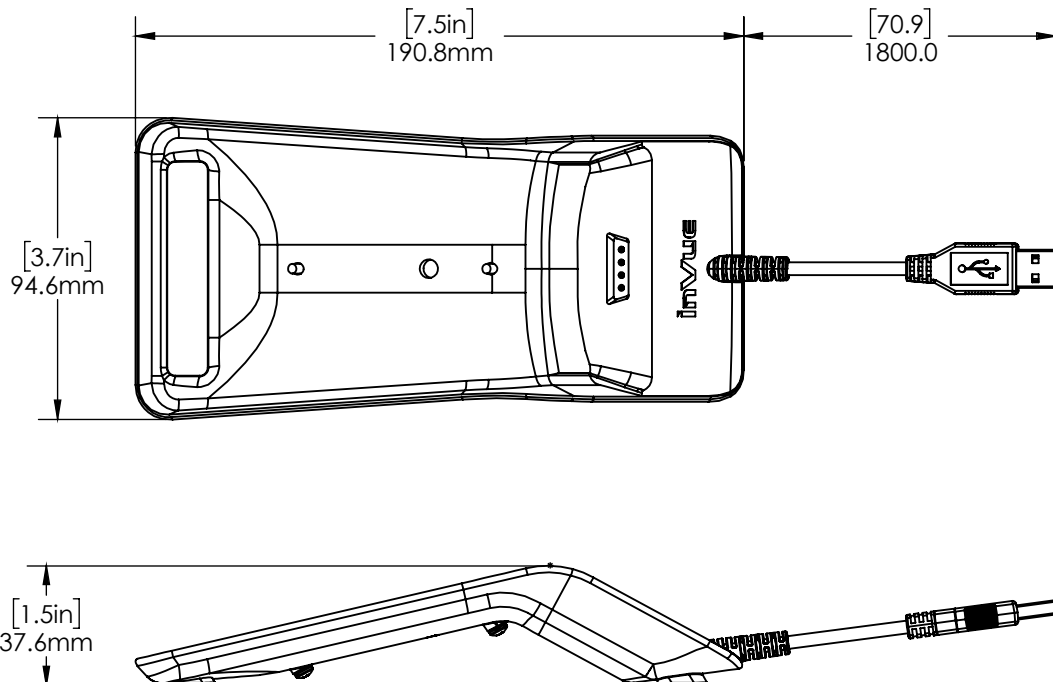
## SPECIFICATIONS

Payment center tablet adapter USB-C cable with guide and cap (CT3011):



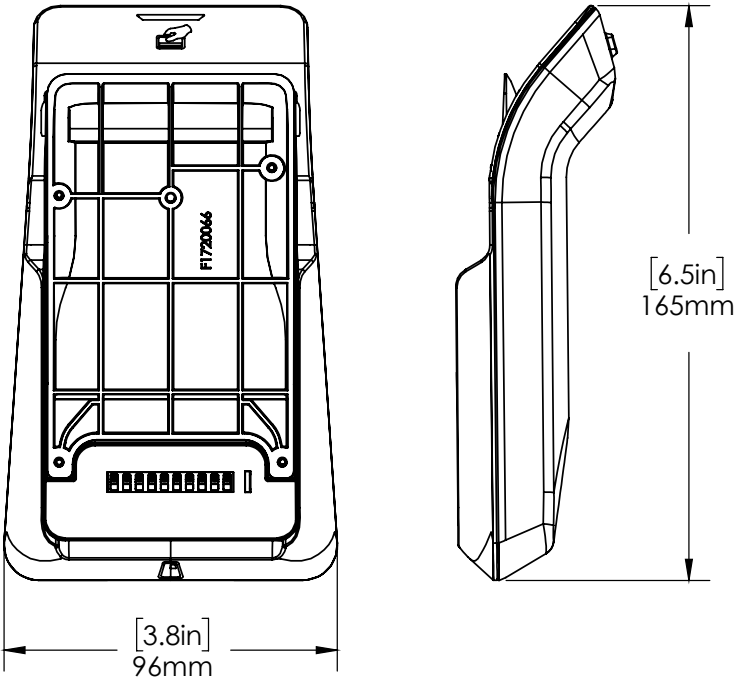
## SPECIFICATIONS

Payment Device Cradle counter/wall dock (CT3020):

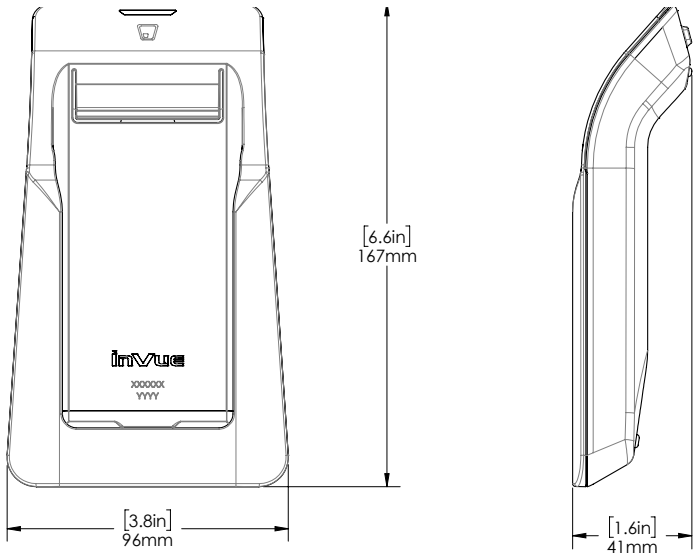


# NE360 / Technical Specifications

ingenico iSMP4 cradle: (CT3066)



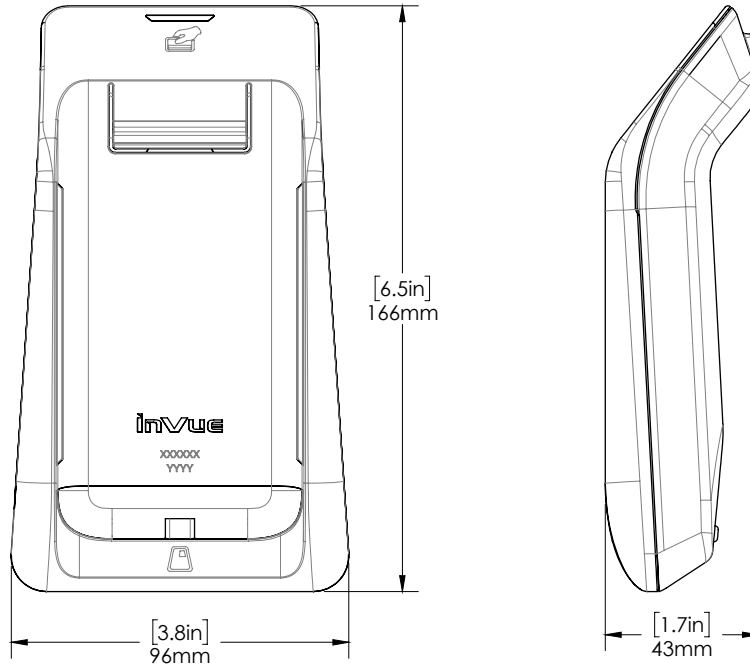
ingenico Link2500i cradle: (CT3071)



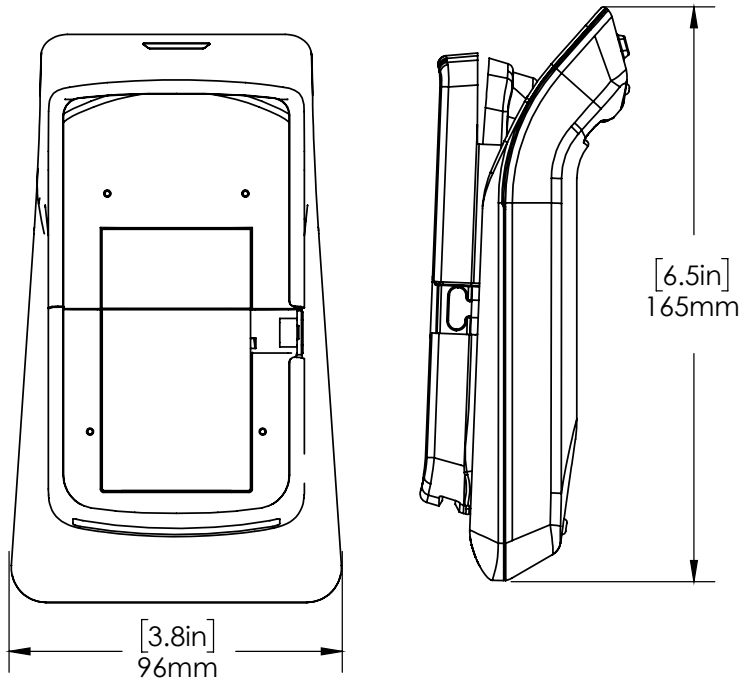
# NE360 / Technical Specifications

## SPECIFICATIONS

Verifone E355 CHARGE ONLY Cradle (CT3088):



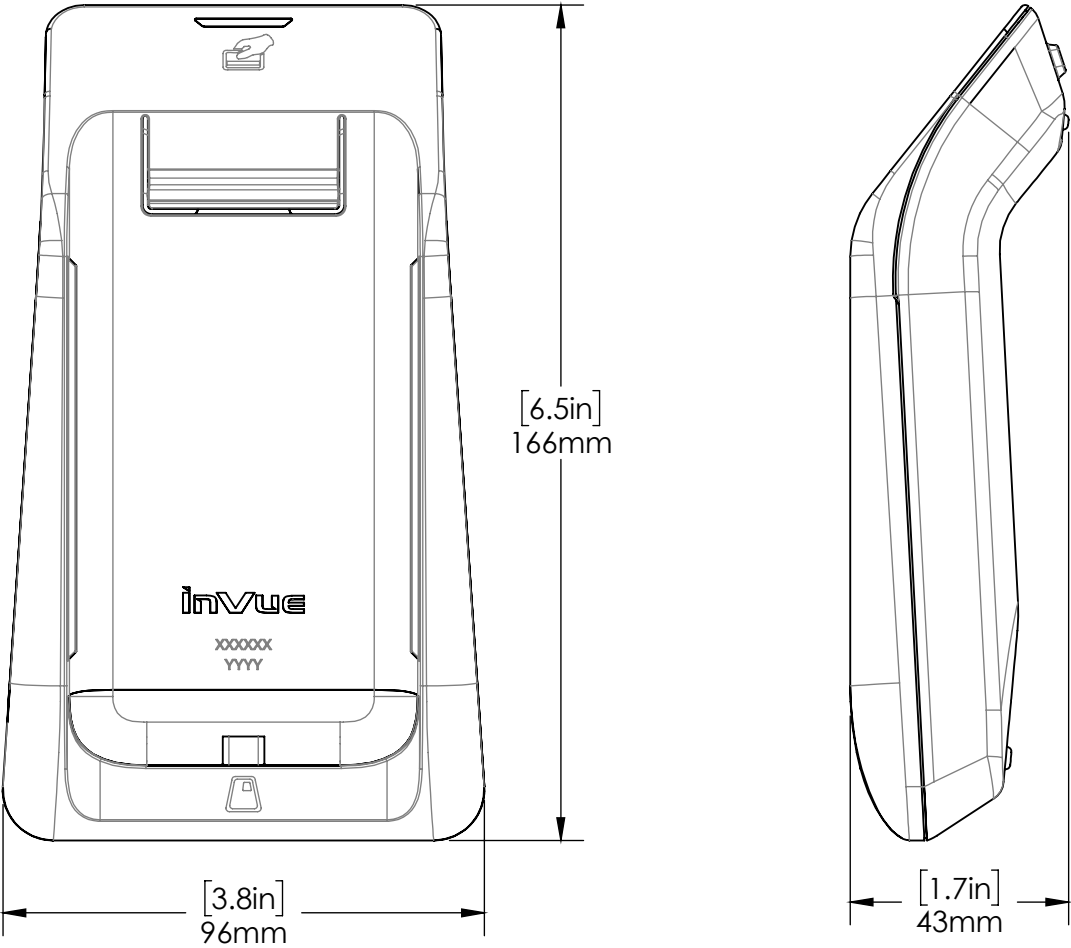
ingenico Link2500 standard Cradle (CT3099):



# NE360 / Technical Specifications

## SPECIFICATIONS

Verifone E285 Cradle (CT3002)

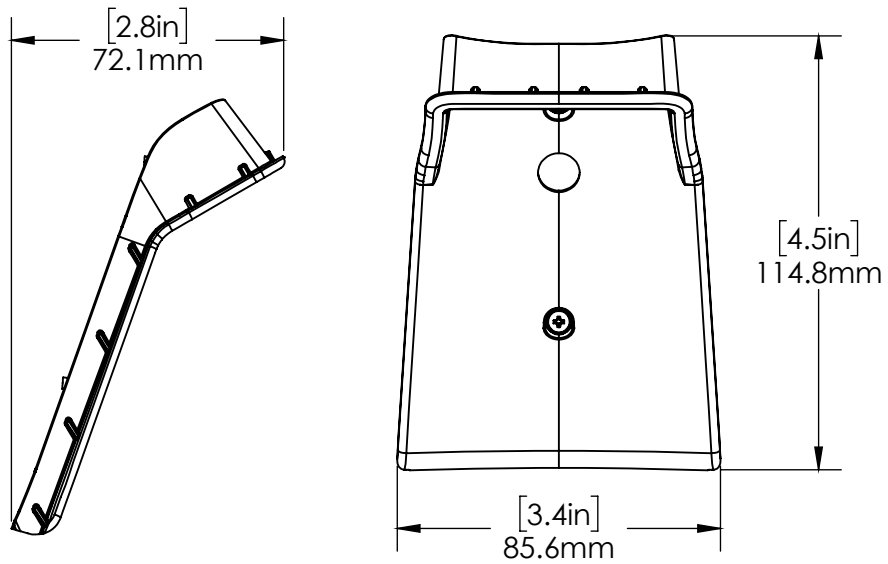




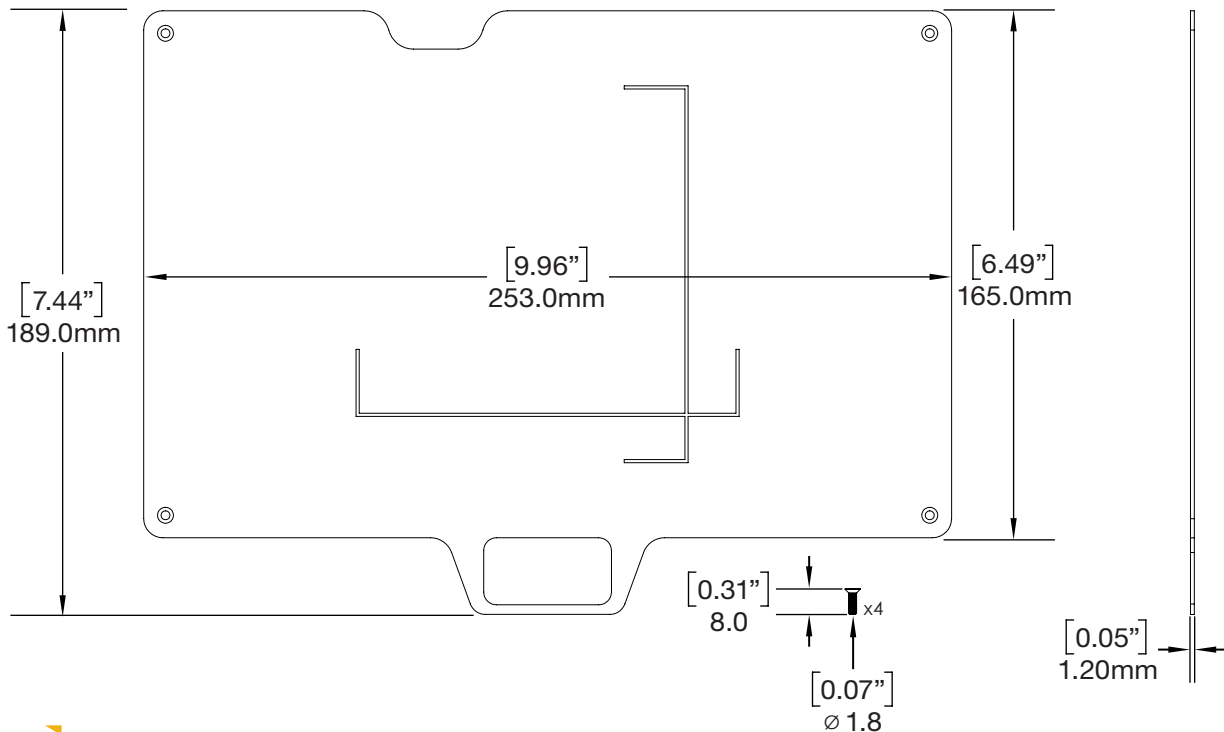
# NE360 / Technical Specifications

## SPECIFICATIONS

NE360 Payment Center Cradle Lock (CT3073):



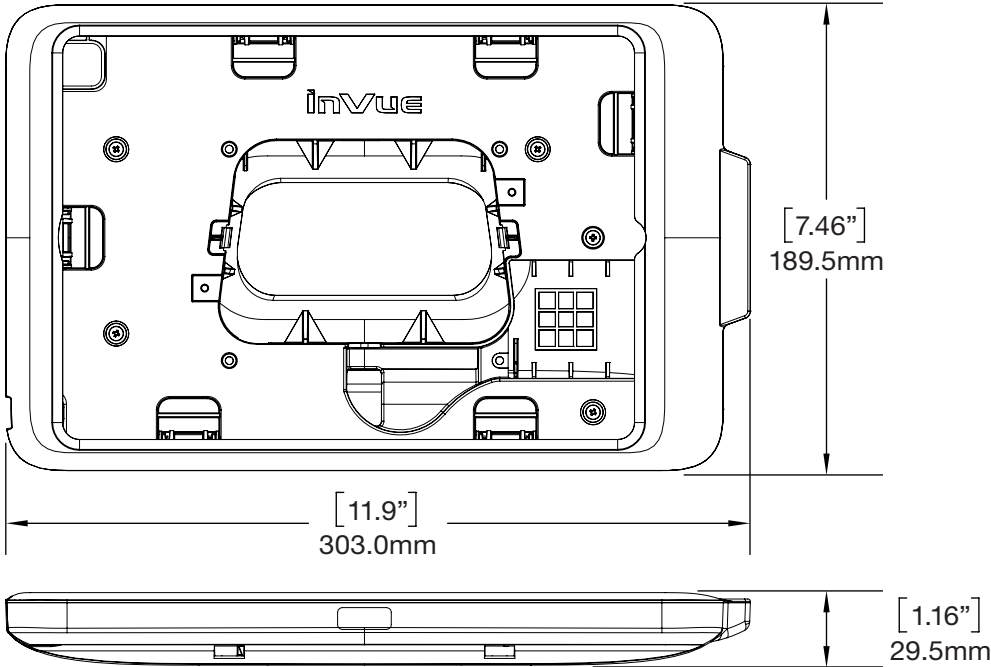
NE360C Zebra ET5X Backplate (CT3082):



# NE360 / Technical Specifications

## SPECIFICATIONS

iPad 9.7 (Gen 5 & 6) & iPad 10.2 (Gen 7, 8 & 9) Case (CT3104):



## NE360 / Technical Specifications

### NE360C - PAYMENT CENTER

ORDER CODE	DESCRIPTION
CT3003	Payment center stand, swivel, tablet adapter
CT3005	Payment center HUB: 3 USBA, 1 USB C, 1 Ethernet
CT3006	Payment Center Hub extender cable
CT3009	Payment center tablet case Surface GO 2, 3 & 4
CT3068	Payment center tablet case Zebra ET5x 10in
CT3018	Payment center mount adhesive replacement, 32 pieces
CT3019	Payment center tablet mount replacement adhesive, 16 pieces
CT3021	Payment center bolt mount kit
CT3073	NE360 Payment Center Cradle Lock
CT3007	Payment center tablet adapter
CT3074	Payment center tablet adapter handstrap replacement
CT3081	Payment center tablet adapter cable for Zebra ET51 10in
CT3082	Zebra ET5X Backplate - Required if not using a case
CT3011	Payment center tablet adapter USB-C cable with guide and cap
CT3103	Apple lightning charge/data cable assembly
CT3104	iPad 9.7(G6),10.2(G7,8)case (requires CT3103)
CT3151	Shoulder Strap Clips, 2 pieces
CT3098	Tablet Adapter Removal Tool
CT3170	Stand Adhesive Removal Tool
PS567-AUS PS567-EU PS567-JPN PS567-UK PS567-US	24V/5A power supply; 120W (Use for payment center stand)



# NE360 / Technical Specifications

## NE360 - PAYMENT CRADLES

ORDER CODE	DESCRIPTION
CT3001	Ingenico Moby 8500 cradle
CT3002	Verifone E285 cradle
CT3020	Payment Device Cradle counter/wall dock
CT3066	Ingenico iSMP4 cradle
CT3071	Ingenico Link2500i cradle
CT3099	Ingenico Link2500i Standard cradle
CT3088	Verifone E355 CHARGE ONLY Cradle

©2023 InVue. No endorsement of InVue products has been made by any of the manufacturers of the products shown. Product is sold pursuant to InVue's warranty which can be found at [www.invue.com/warranty](http://www.invue.com/warranty).

**THE AMERICAS** 704.752.6513 • 888.55.INVUE

**EUROPE, MIDDLE EAST & AFRICA** +31.23.8900150

**ASIA PACIFIC** +852.3127.6811



invue.com  
rev. 10/10/23

