

inVUE

NE150

Any tablet. Always connected.
Instant mobility.



MIX-&-MATCH

Securely supports any tablet up to 13" from any manufacturer with any operating system.

RELIABLE CONNECTION

High-speed USB 3.0 data port supports a wide range of peripherals.

SIMPLE SOLUTION

Cost-effective, compact tablet stand that easily converts from a fixed to mobile solution.

OVERVIEW

NE150 is a sleek, small-scale tablet stand designed to meet business needs at a budget-friendly price. Integrated charging, USB 3.0 high-speed data connectivity, and detachable handle supports peripherals and transitions from a fixed solution to portable handheld for an agile in-store experience.

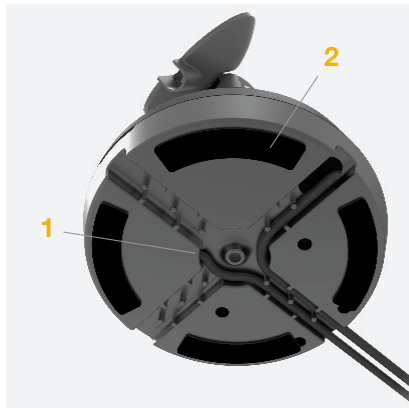
FEATURES AND BENEFITS

- 1 Fits any tablet from any manufacturer up to 13"
- 2 Compatible with iOS, Windows, and Android
- 3 High-speed data port supports up to 5Gbps
- 4 USB-C port connection for peripherals
- 5 Tilt/flip tablet screen from associate to customer
- 6 Detachable handle for instant mobility that serves as a secondary stand
- 7 Integrated charger with built-in LED indicator lights



FEATURES AND BENEFITS *(continued)*

- 1 Built-in cable management in the base hides unsightly wires or routes them to a single side
- 2 Base can be affixed using non-slip adhesive or bolt mounted
- 3 Handle locks to base for a fixed stand solution
- 4 Compatible with all NE360C payment cradles when used with adapter cable (optional)



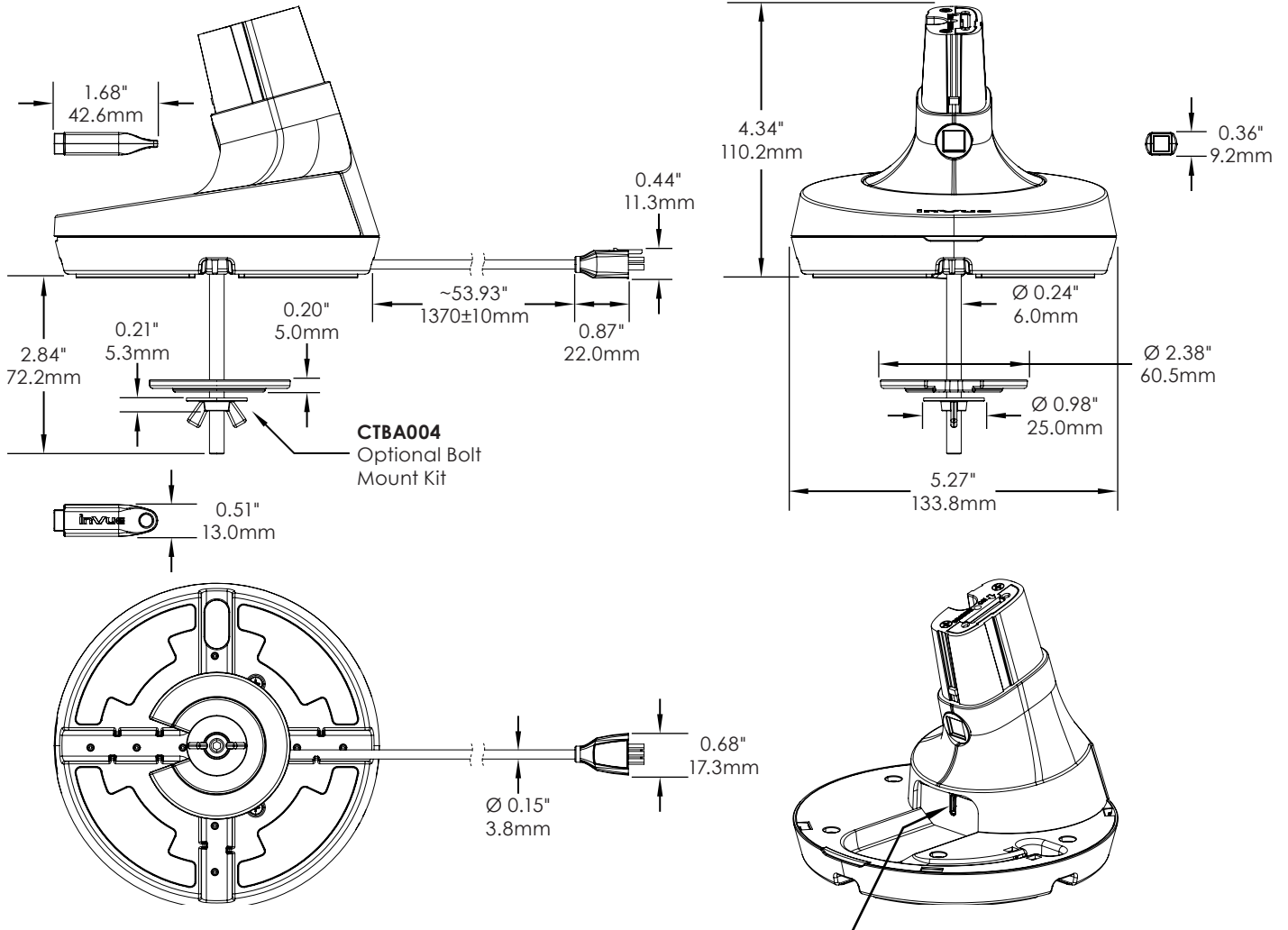
CORE APPLICATIONS

- Point of sale
- Registration processes
- Self check-in/checkout
- Endless aisle
- Clienteling
- Product comparisons
- Line busting
- Inventory audits
- Restaurant menu displays/ order kiosk
- Ticketing
- Payment processing

©2023 InVue Security Products. No endorsement of InVue products has been made by any of the manufacturers of the products shown. Product is sold pursuant to InVue's warranty which can be found at invue.com/warranty.

SPECIFICATIONS

NE150 BASE (CT1500):



USB-C Port Specifications

Mechanical Restrictions

- Cable Diameter ≤ 5.5mm
- USB-C Connector Size
- Length ≤ 25mm
- Width ≤ 12mm

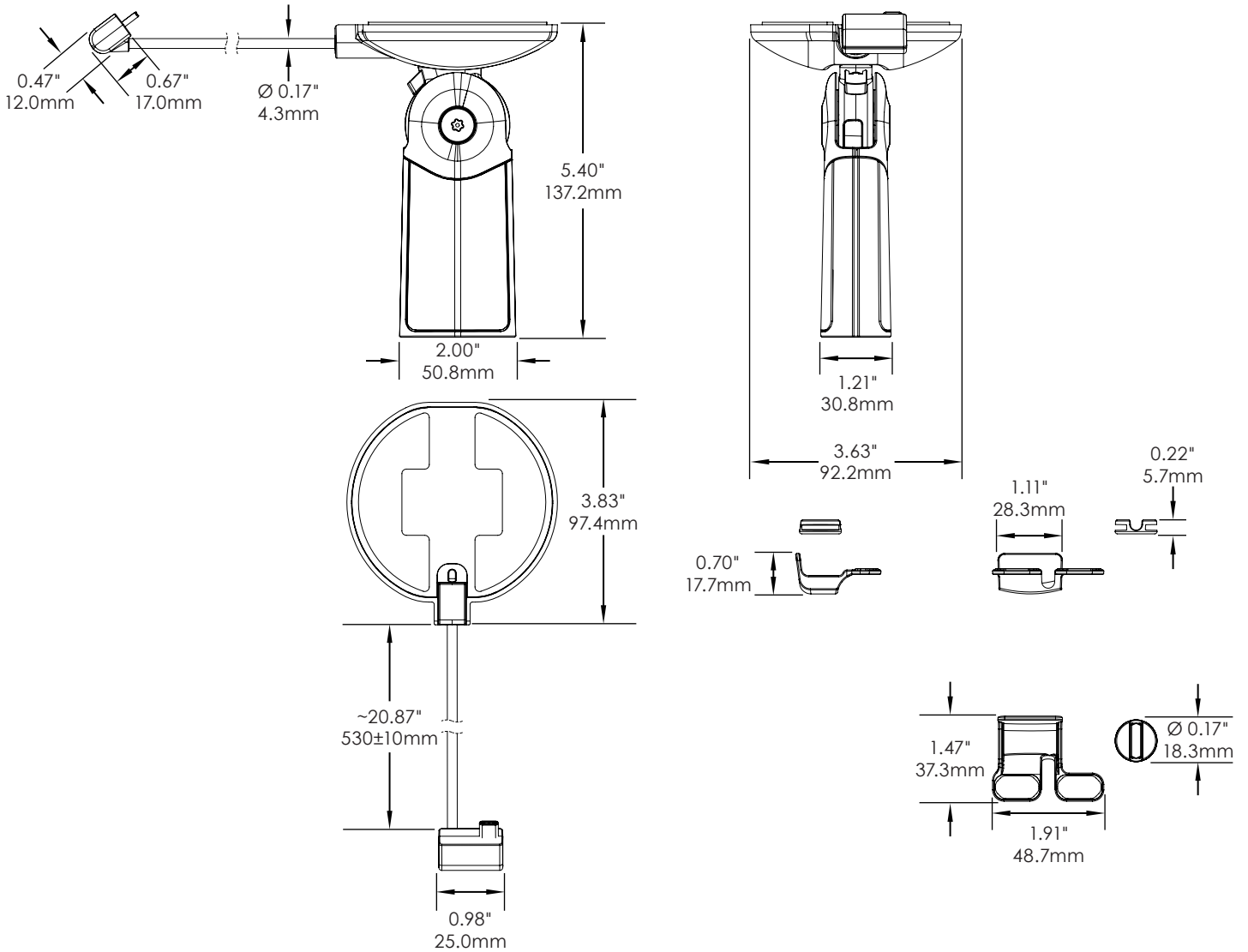
Electrical Requirements

- USB 3.0 or below. Max speed = 5Gps
- DP1.1a (2.7Gps per lane)
- Max Supported Video Resolution: 1920 x 1080, 60Hz
- Voltage/Current 5V/2A



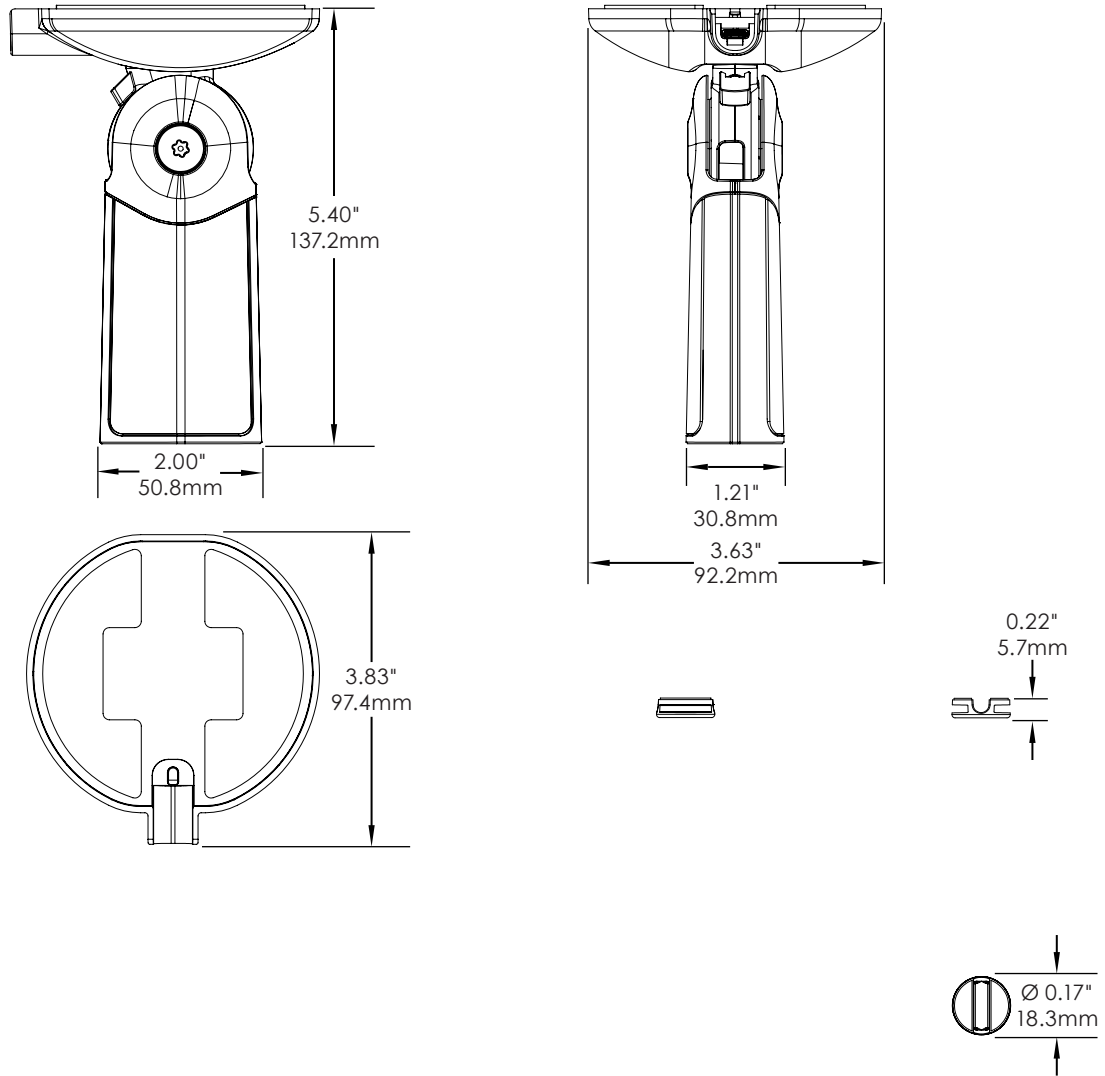
SPECIFICATIONS

NE150 USB-C HANDLE (CT1502):



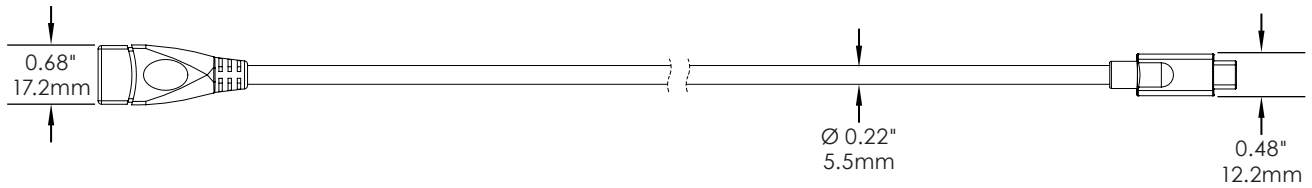
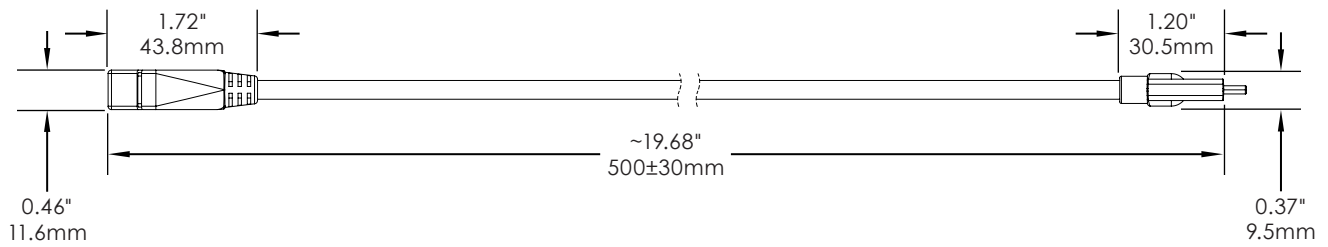
SPECIFICATIONS

NE150 APPLE LIGHTNING HANDLE, HOST (CT1503):



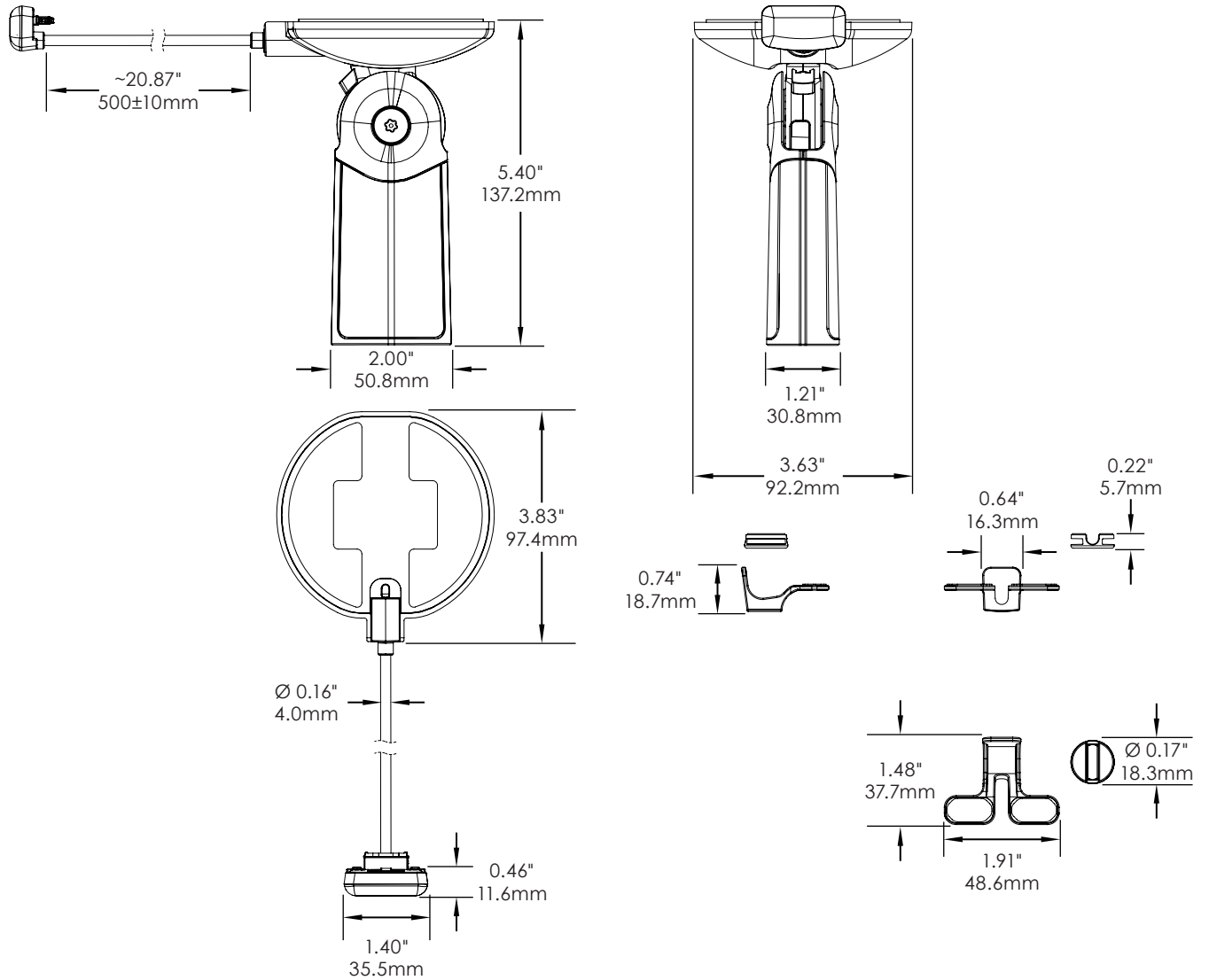
SPECIFICATIONS

NE150 USB-C TO USB-A CABLE (CT1505):



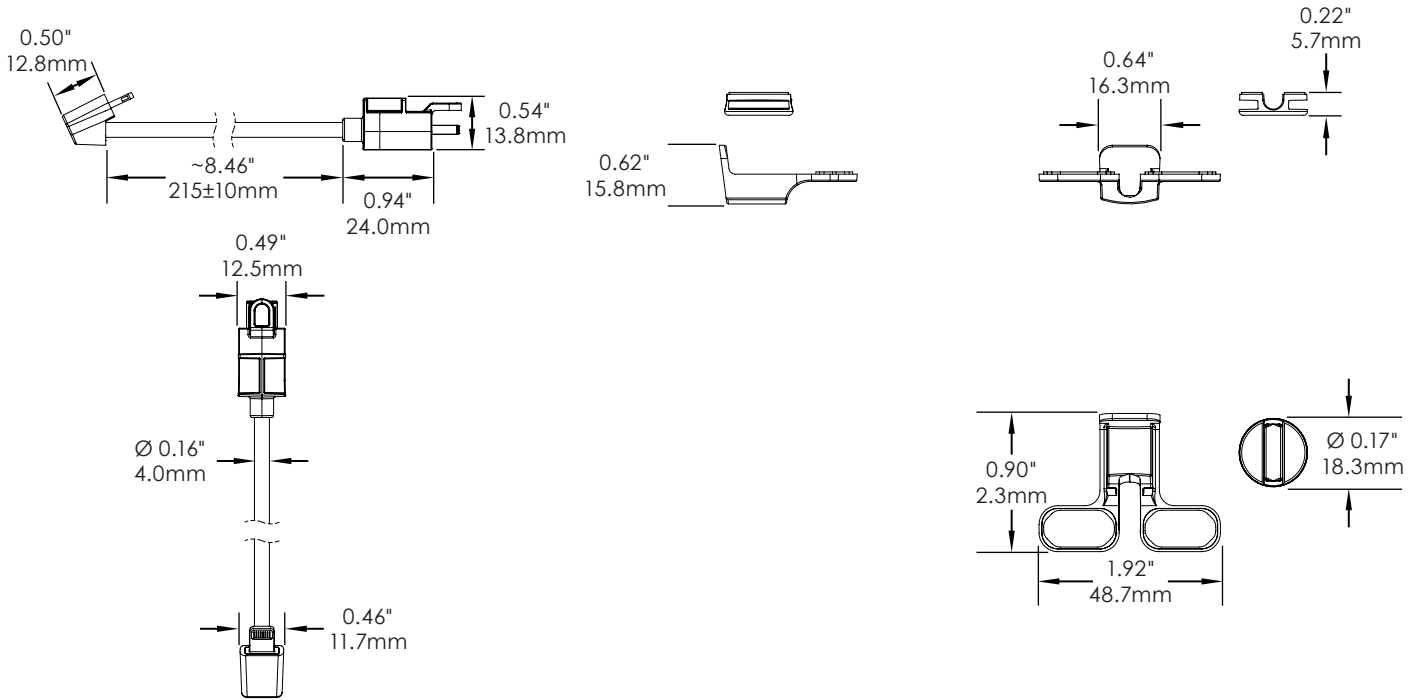
SPECIFICATIONS

NE150 ZEBRA ET51 & ET56 HANDLE (CT1506):

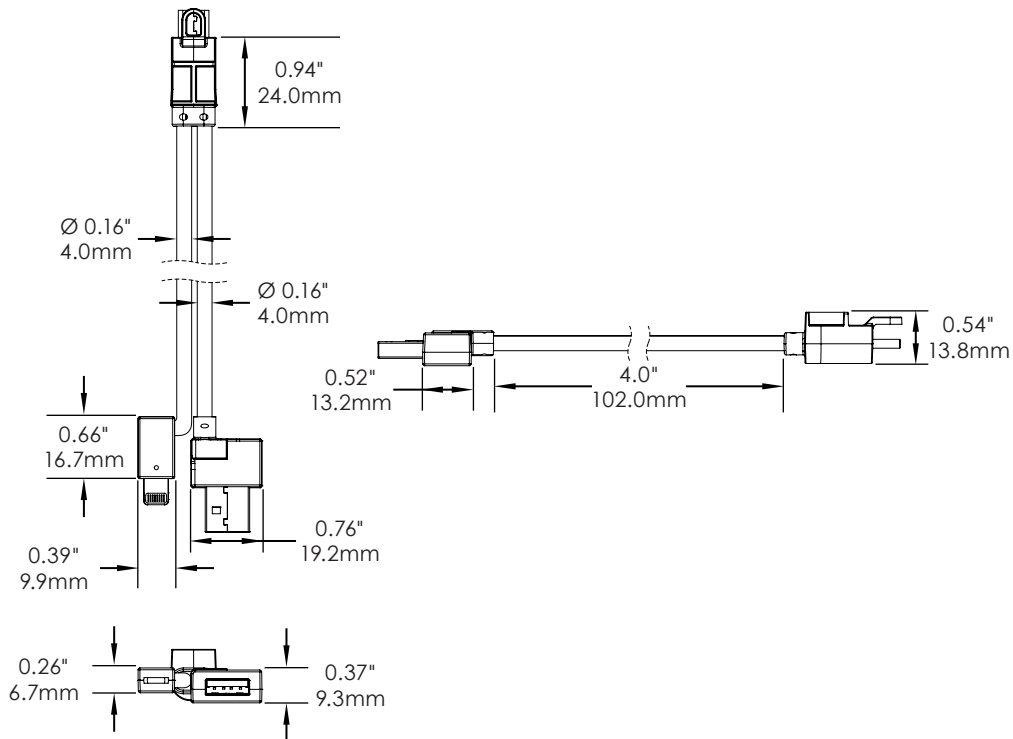


SPECIFICATIONS

NE360C/NE150 APPLE LIGHTNING CABLE - CHARGE ONLY (CT3012):

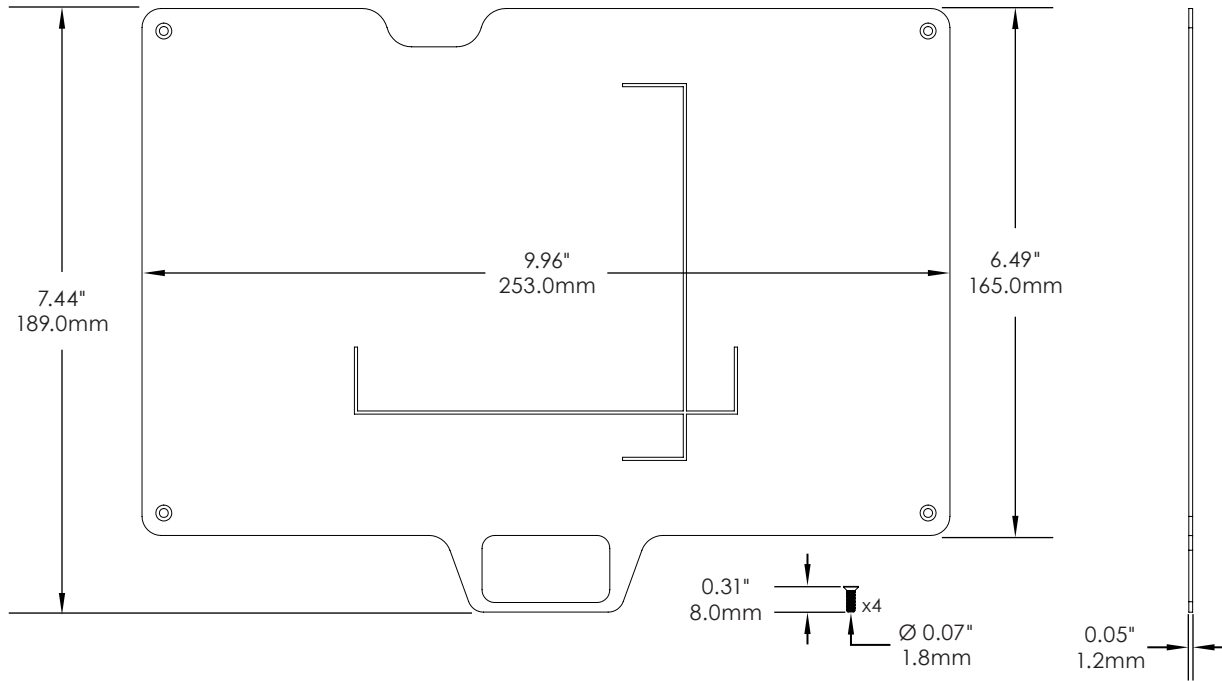


NE360C/NE150 APPLE LIGHTNING CHARGE & DATA CABLE (CT3112):

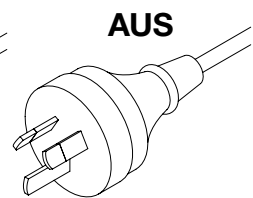
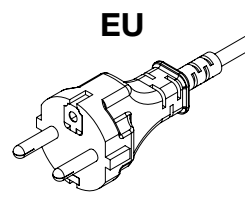
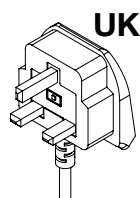
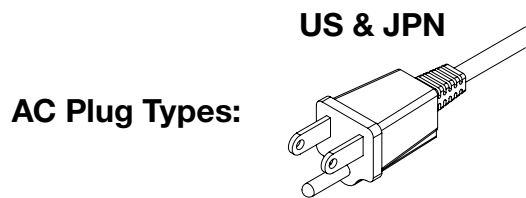
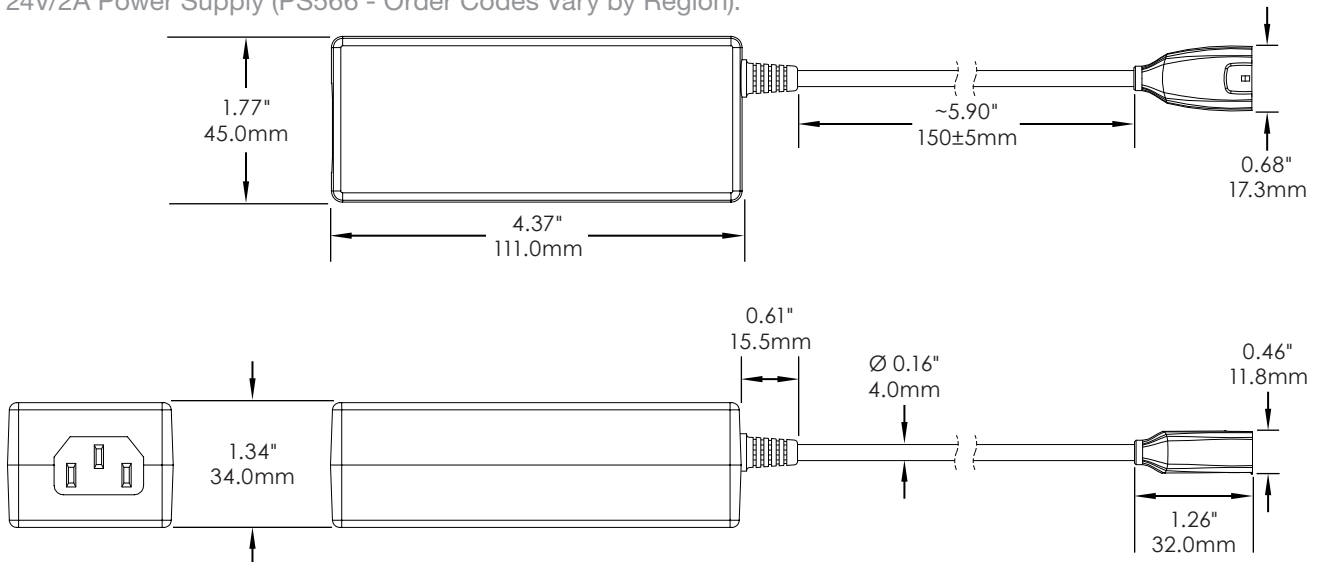


SPECIFICATIONS

NE360C/NE150 ZEBRA ET51/56 BACKPLATE (CT3082):



24V/2A Power Supply (PS566 - Order Codes Vary by Region):



PRODUCT ORDERING

ORDER CODE	DESCRIPTION	NOTES
NE150 System Components		
CT1500	NE150 Base	Includes Non-Slip and Adhesive Mount Options & Magnet Key
CT1502	NE150 USB-C Handle	Includes Cable Guide & Protective Cap
CT1503	NE150 Apple Lightning Tablet HOST Handle	Includes Cable Guide & Protective Cap Requires CT3012 (Charge Only) or CT3112 (Charge & Data)
CT1505	USB-C to USB-A Cable, 500mm	
CT1506	NE150 Zebra ET51/56 Handle	Includes Cable Guide & Protective Cap
CT3012	NE360C/NE150 Apple Lightning CHARGE ONLY Cable	Charge Only - For Use with CT1503
CT3112	NE360C/NE150 Apple Lightning Charge & Data Cable	Charge & Data - For Use with CT1503
NE150 Accessories & Power Supplies		
CT1507	NE150 Tablet & Base Adhesive Mount Removal Tool	
CT1509	NE150 Handle Replacement Adhesives	8 Pieces
CT1510	NE150 Replacement Base Non-Slip Pads	16 Pieces
CT1511	NE150 Replacement Base Adhesives	16 Pieces
CTBA004	Optional Bolt Mount Kit	
CT3082	Zebra ET51/56 Backplate	Required If Using CT1506 without a 3rd Party Case
DBG400	Magnet Keys	4 Pieces
DBG406	Magnet Key	1 Piece
HC7430	Optional Low Surface Energy Adhesives	5 Pieces
PS566-AUS	Output 24VDC/2A; Input 110/240VAC 50/60 Hz Power Supply	Australia Line Cord
PS566-EU	Output 24VDC/2A; Input 110/240VAC 50/60 Hz Power Supply	EU Cord
PS566-JPN	Output 24VDC/2A; Input 110/240VAC 50/60 Hz Power Supply	Japan Line Cord
PS566-UK	Output 24VDC/2A; Input 110/240VAC 50/60 Hz Power Supply	UK Line Cord
PS566-US	Output 24VDC/2A; Input 110/240VAC 50/60 Hz Power Supply	US Line Cord

invue.com

©2023 InVue Security Products. No endorsement of InVue products has been made by any of the manufacturers of the products shown. Product is sold pursuant to InVue's warranty which can be found at www.invue.com/warranty.

THE AMERICAS 704.752.6513 • 888.55.INVUE
EUROPE, MIDDLE EAST & AFRICA +31.23.8900150
ASIA PACIFIC +852.3127.6811