



19" Touchscreen with 5-Wire Resistive Touch Technology

The T1931SR-B1S is based on 5-wire resistive touch technology. The price / performance ratio is ideal for the budget conscious user while quality and performance are certainly not compromised. The display includes both analogue (VGA) and digital inputs (HDMI and DisplayPort) with touchscreen connectivity via USB offering great flexibility. The flexible stand can be positioned at several angles creating a comfortable and ergonomic user experience and the integrated cable management system hides all the cables and electrical wires giving a neat and cable-free workspace. The T1931SR-B1S can be used in a variety of environments, especially recommended for shops, restaurants and industrial purposes.



Touch technology - Resistive

5-wire resistive touchscreens are very durable and can be used in a variety of environments. They are especially recommended for shops, restaurants and industrial purposes.



IP54

The IP Code classifies how resistant a device is to foreign objects and moisture. IP54 means that the monitor will operate in dusty conditions, and will resist splashing water.

01 DISPLAY CHARACTERISTICS

| | |
|-------------------------|---|
| Diagonal | 19", 48cm |
| Panel | IPS |
| Native resolution | 1280 x 1024 (1.3 megapixel) |
| Aspect ratio | 5:4 |
| Panel brightness | 250 cd/m ² |
| Brightness | 200 cd/m ² with touch |
| Light transmittance | 80% |
| Static contrast | 1000:1 with touch |
| Response time (BTB) | 14ms |
| Viewing zone | horizontal/vertical: 178°/178°, right/left: 89°/89°, up/down: 89°/89° |
| Colour support | 16.7mln |
| Horizontal Sync | 31.5 - 80kHz |
| Viewable area W x H | 374.8 x 299.8mm, 14.7 x 11.8" |
| Pixel pitch | 0.293mm |
| Bezel colour and finish | black, matte |

02 TOUCH

| | |
|-----------------------------|---|
| Touch technology | serial resistive |
| Touch points | 1 |
| Touch method | stylus, finger, glove |
| Touch interface | USB |
| Supported operating systems | All iiyama monitors are Plug & Play and compatible with Windows and Linux. For details regarding the supported OS for the touch models, please refer to the driver instruction file available in the downloads section. |

03 INTERFACES / CONNECTORS / CONTROLS

| | |
|----------------------|---------------------------|
| Analog signal input | VGA x1 |
| Digital signal input | HDMI x1 DisplayPort x1 |
| Audio output | Speakers 2 x 1W |
| HDCP | yes |

04 FEATURES

| | |
|---------------------------|--------------|
| Water and dust protection | IP54 (front) |
| OSD key lock | yes |

05 GENERAL

| | |
|-----------------|--|
| OSD languages | EN, DE, FR, ES, IT, CN, JP |
| Control buttons | Menu, Scroll up/ Brightness, Scroll down/ Mute, Select, Power |
| User controls | contrast, brightness, lock mode (power, OSD), auto adjust, OSD, H. position, V. position, H-size, fine, OSD H. position, OSD V. position, OSD timeout, reset, input select, OSD language, colour temperature, volume, mute |
| Convenience | Kensington-lock™ prepared |
| Plug&Play | DDC2B |

06 MECHANICAL

| | |
|-------------------------|-----------------|
| Tilt angle | 90° up; 5° down |
| VESA mounting | 100 x 100mm |
| Cable management system | yes |

07 ACCESSORIES INCLUDED

| | |
|-------------|---------------------------------|
| Cables | power, USB, HDMI, Audio, DP |
| Guides | quick start guide, safety guide |
| Cable cover | yes |

08 POWER MANAGEMENT

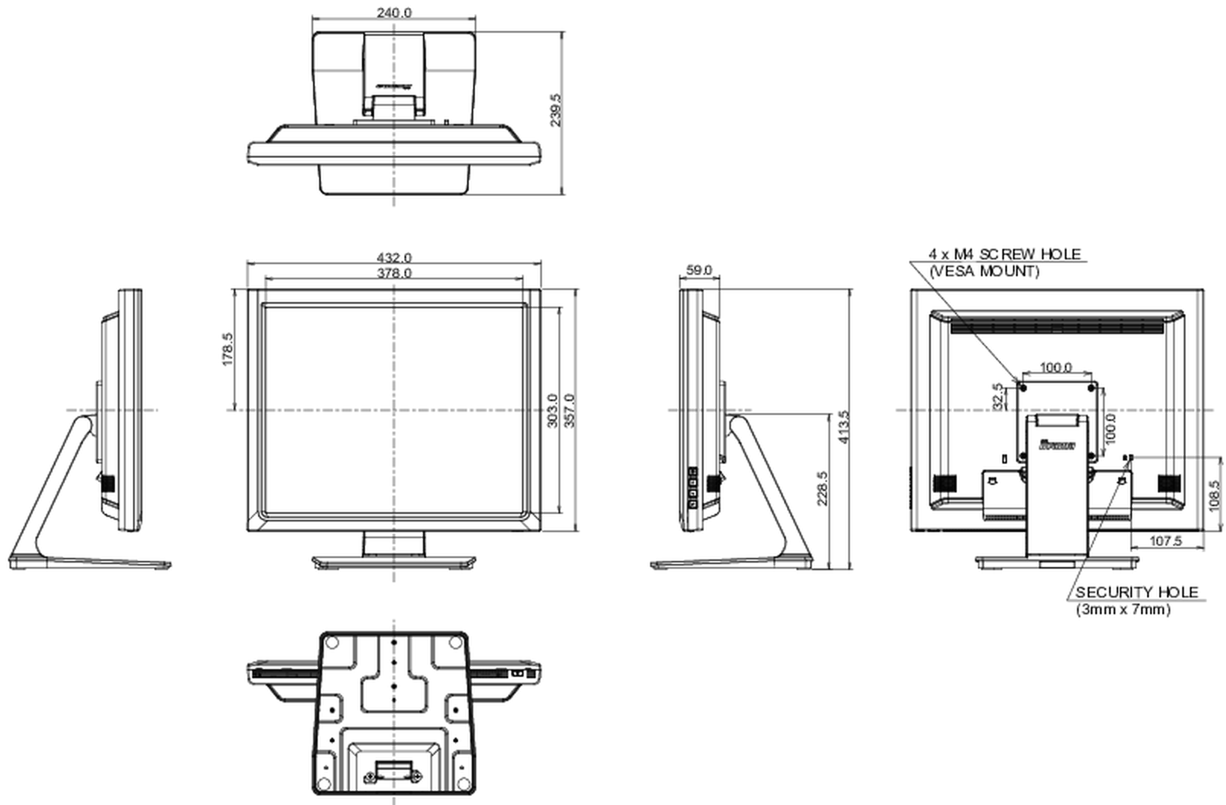
| | |
|-------------------|---|
| Power supply unit | internal |
| Power supply | AC 100 - 240V, 50/60Hz |
| Power usage | 20W typical, 1.5W stand by, 0.3W off mode |

09 SUSTAINABILITY

| | |
|---|--|
| Regulations | CE, EAC, RoHS support, ErP, WEEE, cULus, VCCI, REACH, UKCA |
| Energy efficiency class (Regulation (EU) 2017/1369) | E |
| REACH SVHC | above 0.1%: Lead |

10 DIMENSIONS / WEIGHT

| | |
|------------------------------|-----------------------|
| Product dimensions W x H x D | 432 x 431.5 x 239.5mm |
| Box dimensions W x H x D | 530 x 495 x 190mm |
| Weight (without box) | 6kg |
| Weight (with box) | 8kg |
| EAN code | 4948570122172 |



All trademarks and registered trademarks acknowledged. E & O E. Specification subject to change without notice. All LCD's comply with ISO-9241-307:2008 in connection with pixel defects.

© IYAMA CORPORATION. ALL RIGHTS RESERVED